

Linear/Saturating Choke

**Description**

- Linear/saturating choke
- THT-terminals
- Low noise development by using iron powder toroids instead of conventional iron lamination cores
- Flange for mounting onto printed circuit board
- Fully potted resin

Standards

- EN 60938

Applications

- Phase angle control circuits with thyristors, triacs or transistors
- The choke acts at its optimum when it is mounted directly at the interference originator (thyristor, triac)

References

[General Product Information](#)

Weblinks

[Approvals](#), [RoHS](#), [CHINA-RoHS](#), [e-Store](#), [SCHURTER-Stock-Check](#), [Distributor-Stock-Check](#)

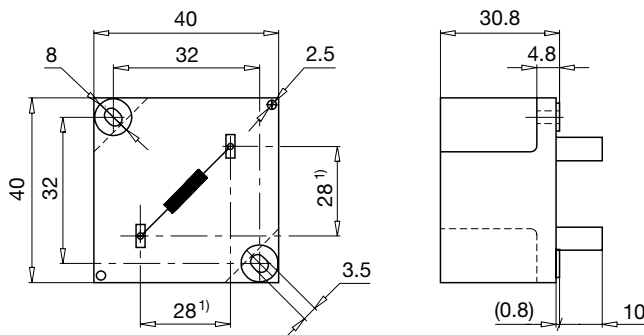
Technical Data

Rated Voltage	up to 440VAC
Rated Current	5 - 45A @ Ta 45 °C
Power Operating Frequency	50Hz
Terminal technic	THT, Flexible wire
Weight	144 - 1423g
Material: Housing	UL 94V-0
Sealing Compound	UL 94V-0

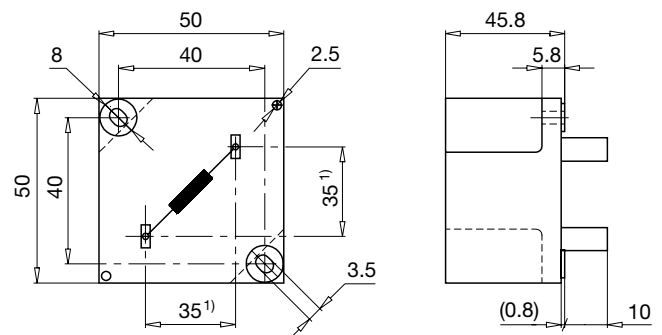
Isolation Voltage	2 kV eff., winding to ambient
Climatic Category	25/100/21 acc. to IEC 60068-1
Allowable Operation Temp.	-25 °C to 100 °C

Dimensions

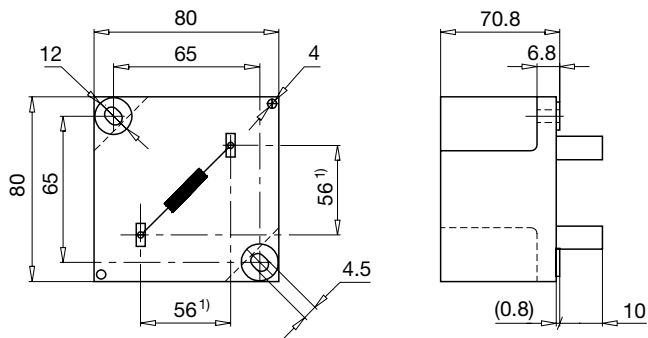
Case 25-P



Case 47-P

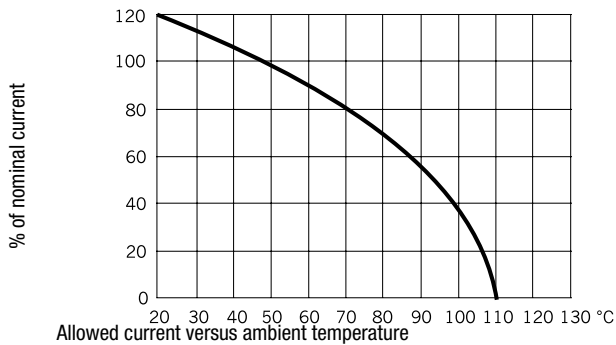


Case 32-P



1) Spacing given at pin base

Derating Curves



Variants

[Distributor-Stock-Check](#) | [SCHURTER-Stock-Check](#) | [e-Store](#)

I_n [A]	L_n [mH]	Inductance drop max [%]	R_{cu} [mΩ]	P_{loss} [W]	f_{RES} [MHz]	C_x [μF]	Copper ø [mm]	Weight [g]	Case	Packing unit [pcs.]	Order Number
5	1	60	120	3	0.8	0.047	1	144	25-P	20	DLFL-0125-0501
8	0.5	60	54	3.5	1.32	0.1	1.25	154	25-P	20	DLFL-0125-08D5
45	0.2	70	6	12	1.1	1	5	1423	32-P	2	DLFL-0132-45D2
12	0.5	60	38	5.5	1.16	0.1	1.7	333	47-P	2	DLFL-0147-12D5
16	0.3	60	25	6.4	1.69	0.22	1.8	325	47-P	2	DLFL-0147-16D3
25	0.15	60	10	6.3	2.5	0.47	2.36	336	47-P	2	DLFL-0147-25D2
35	0.05	60	5.3	6.5	3.5	1.5	1.5 x 4.5	338	47-P	2	DLFL-0147-35C5

Inductance drop at I_n